

Rinnai



ES Series

Electric Fires

Electric perfection

Introducing the Rinnai ES Series Electric Fire range; the ultimate in electric fires. Using cutting edge technology and innovation to provide instant heat, hyper realistic flame pattern and fuel bed to your living space.

The Rinnai ES Series is the outstanding result of extensive research and development, meticulous attention to detail, and the highest standard of quality. With a host of unique and innovative features, these appliances are unrivaled in their class.

The Rinnai ES Series provides a complete range of options to create the ultimate fireplace which will transform your home, adding a touch of luxury that is perfectly tailored to reflect your own unique style.





ES 750



ES 750

The ES 750 is a versatile fire, perfectly at home in a contemporary setting or more traditional environments. The large glass viewing panel is perfectly suited for use with modern furniture elements or with a complementing fireplace mantel, bringing a welcome sense of grand stature.

Features

- 848 x 780 x 296mm (Dimensions H x W x D)
- Ultra-realistic glowing fuel bed with burning embers with customisable log layout
- Easy to install
- 3 independently controlled lighting effects
Flames – colour & brightness,
Under fuel bed – colour & brightness,
Above fuel bed – colour and brightness
- Wall mountable (Supplied with brackets)
- 6 pre-set Trilight themes (Autumn Campfire, Emberglow, Inferno, Noir, Fire & Ice, Nebular)
- Convenient multiple control options (Manual, Remote control or App)
- Multi-option RGB flame and fuel bed colours with user preset options
- Optimised heater position & minimal visible vents
- 7 day programmable timer with adaptive smart heating
- Heat output – 1.8kW (3 Heating modes with cool blow function)
- Open door/window detection



Corner



Inset

ES 1000



ES 1000

Add luxury to your living space with the ES 1000, the ultimate home investment. The ES 1000 is the smallest of our landscape electric fires at 1 metre in length. With the option of inset, panoramic (3 sided) or corner (left or right) aspect you will be spoilt for choice when creating your perfect fireplace.

Features

- 548 x 1030 x 296mm (Dimensions H x W x D)
- Convenient multiple control options (Manual, Remote control or App)
- Easy to install
- Wall mountable (Supplied with brackets)
- 6 pre-set Trilight themes (Autumn Campfire, Emberglow, Inferno, Noir, Fire & Ice, Nebular)
- Multi-option RGB flame and fuel bed colours with user preset options
- 7 day programmable timer with adaptive smart heating
- Heat output – 1.8kW (3 Heating modes with cool blow function)
- Optimised heater position & minimal visible vents
- 3 independently controlled lighting effects
Flames – colour & brightness,
Under fuel bed – colour & brightness,
Above fuel bed – colour and brightness
- Open door/window detection
- Ultra-realistic glowing fuel bed with burning embers with customisable log layout



3 Sided



Corner

ES 1300



ES 1300

At 1.3 metres in length, the ES 1300 is ideal for a range of interiors with its minimalist design themes. Add a sense of wonder to your home and bring it to life with the touch of a button.

Features

- 548 x 1330 x 296mm (Dimensions H x W x D)
- 6 pre-set Trilight themes (Autumn Campfire, Emberglow, Inferno, Noir, Fire & Ice, Nebular)
- Multi-option RGB flame and fuel bed colours with user preset options
- Optimised heater position & minimal visible vents
- 7 day programmable timer with adaptive smart heating
- Heat output – 1.8kW (3 Heating modes with cool blow function)
- Wall mountable (Supplied with brackets)
- Convenient multiple control options (Manual, Remote control or App)
- Ultra-realistic glowing fuel bed with burning embers with customisable log layout
- Easy to install
- 3 independently controlled lighting effects
Flames – colour & brightness,
Under fuel bed – colour & brightness,
Above fuel bed – colour and brightness
- Open door/window detection



Inset



Corner

ES 1500



ES 1500

Whether you want to update or build a contemporary dream home, the ES 1500 will transform any room with a sense of luxury. This fire is 1.5 metres in length and can be installed in either inset, panoramic (3 sided) or corner (left or right) aspect, allowing you full creative control of your space.

Features

- 548 x 1530 x 296mm (Dimensions H x W x D)
- Multi-option RGB flame and fuel bed colours with user preset options
- Optimised heater position & minimal visible vents
- 7 day programmable timer with adaptive smart heating
- Convenient multiple control options (Manual, Remote control or App)
- Heat output – 1.8kW (3 Heating modes with cool blow function)
- Easy to install
- Ultra-realistic glowing fuel bed with burning embers with customisable log layout
- Wall mountable (Supplied with brackets)
- 6 pre-set Trilight themes (Autumn Campfire, Emberglow, Inferno, Noir, Fire & Ice, Nebular)
- 3 independently controlled lighting effects
Flames – colour & brightness,
Under fuel bed – colour & brightness,
Above fuel bed – colour and brightness
- Open door/window detection



3 Sided



3 Sided

ES 1800



ES 1800

When you really want to create an impression, the ES 1800 really makes an impact. At 1.8 metres in length, this Rinnai fire is designed on a grand scale and is sure to create an eye catching centrepiece to any room.

Features

- 548 x 1830 x 296mm (Dimensions H x W x D)
- Convenient multiple control options (Manual, Remote control or App)
- Multi-option RGB flame and fuel bed colours with user preset options
- Wall mountable (Supplied with brackets)
- 6 pre-set Trilight themes (Autumn Campfire, Emberglow, Inferno, Noir, Fire & Ice, Nebular)
- Optimised heater position & minimal visible vents
- 7 day programmable timer with adaptive smart heating
- Heat output – 1.8kW (3 Heating modes with cool blow function)
- Open door/window detection
- Ultra-realistic glowing fuel bed with burning embers with customisable log layout
- Easy to install
- 3 independently controlled lighting effects
Flames – colour & brightness,
Under fuel bed – colour & brightness,
Above fuel bed – colour and brightness



Inset

ES 2200



ES 2200

With the ES 2200 you have the largest fire in our range at a stunning 2.2 metres in length. As impressive as it is, you are still in control of every aspect of the fire, from the speed, colour and brightness of the entrancing flames, to the enchanting crackling sounds of burning logs.

Features

- 548 x 2230 x 296mm (Dimensions H x W x D)
- Wall mountable (Supplied with brackets)
- 6 pre-set Trilight themes (Autumn Campfire, Emberglow, Inferno, Noir, Fire & Ice, Nebular)
- Multi-option RGB flame and fuel bed colours with user preset options
- Optimised heater position & minimal visible vents
- 7 day programmable timer with adaptive smart heating
- Open door/window detection
- 3 independently controlled lighting effects
Flames – colour & brightness,
Under fuel bed – colour & brightness,
Above fuel bed – colour and brightness
- Heat output – 1.8kW (3 Heating modes with cool blow function)
- Convenient multiple control options (Manual, Remote control or App)
- Ultra-realistic glowing fuel bed with burning embers with customisable log layout
- Easy to install



Inset

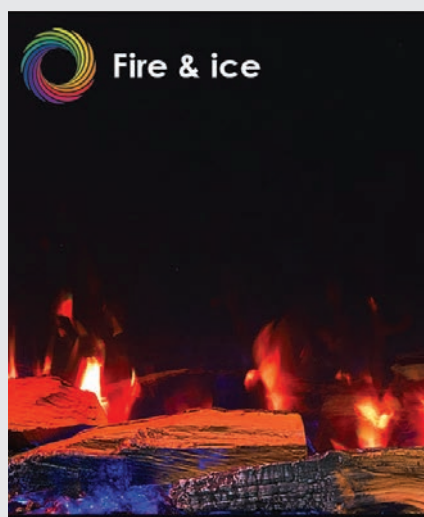
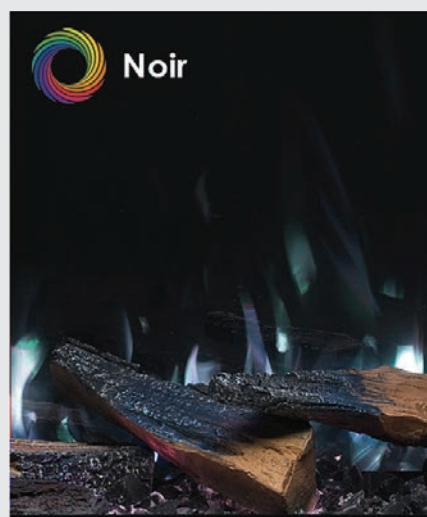
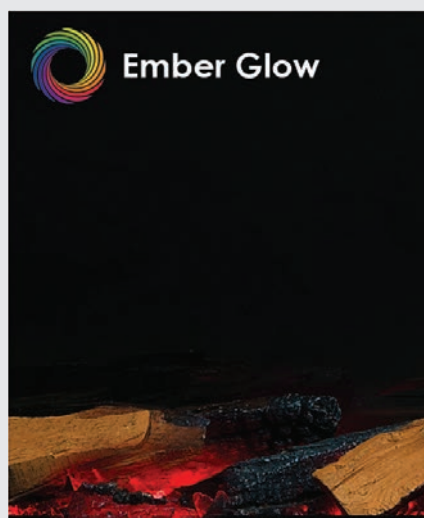
Setting the scene



Our approach is to create beautiful, inspiring appliances that change the perception of a traditional electric fire.

Our unique TriLight technology provides multi angled, fully customisable dynamic LED lighting to create thousands of unique colour and tonal combinations to the flames and fuel bed. Each can work in harmony with one another or can work independently, creating unique combinations and a truly unique atmosphere, all at the touch of a button.

To provide an insight into the possibilities, all Rinnai ES Series electric range fires come with 6 programmed themes to highlight some of the fascinating lighting combinations that can be created, these are:



Instant heat at your fingertips

Part of the Rinnai design ethos is to ensure that all appliances offer clear and simple controllability. Whilst functionality may have advanced and become more dynamic, we believe that intuitive interaction is paramount.

The Rinnai ES fires can be conveniently controlled in three ways:

- Manually using the multi-function panel discretely located on the appliance
- With the intuitive remote-control handset
- Through your smart device (such as phone or tablet) using Wi-Fi connectivity

With built in Wi-Fi connectivity, enhance your user experience with our smart app enabling you to control your appliance from anywhere. The app allows you to set tailored programs, schedule on/off times, set temperatures, design custom light effects, plus much more.

The quick start heat option allows you to select low heat, high heat, or cool blow at the touch of a button. Whilst adaptive smart heating allows you to schedule the exact time and date you wish to heat your room, automatically adjusting the environment to reach and maintain the desired temperature.



Smart technology

With Rinnai, the combination of functionality with applied smart technology creates the ultimate home heating experience. Your appliance will synchronise with your smart device, such as phone or tablet, putting you in complete control. The latest sensor technology helps to create our most efficient appliance ever, ensuring that the room is heated to the correct temperature at the correct time with optimum energy usage.

We are committed to a sustainable future, ensuring that our appliances make the most efficient use of energy. All Rinnai appliances benefit from temperature detection and regulation technology; if there is sudden drop in room temperature, perhaps caused by an open window or door, the appliance will temporarily deactivate any heating functions to avoid energy wastage and will reactivate when the window or door is closed.

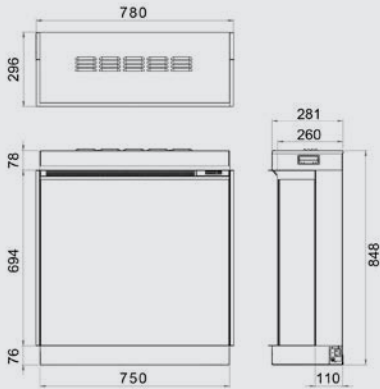
For further information speak to your Rinnai Specialist Fire Dealer.



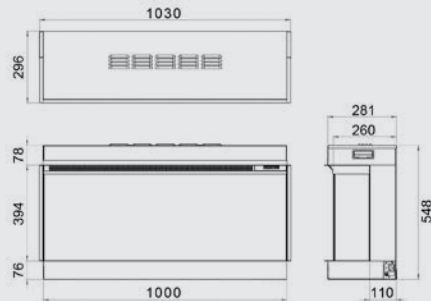
Appliance Dimensions

(All dimensions are in millimetres.)

ES 750



ES 1000



ES 1300



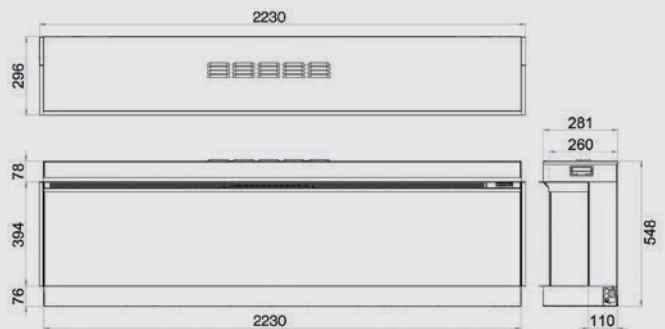
ES 1500



ES 1800



ES 2200







Specifications

Model	Unit	ES750	ES1000	ES1300	ES1500	ES1800	ES2200
Weight	kg	48.5	44.5	54.3	52.8	70.8	86.0
Dimensions H x W x D	mm	848 x 780 x 296	548 x 1030 x 296	548 x 1330 x 296	548 x 1530 x 296	548 x 1830 x 296	548 x 2230 x 296
Supply Voltage	VAC / Hz	230-240 / 50	230-240 / 50	230-240 / 50	230-240 / 50	230-240 / 50	230-240 / 50
Three pin plug type	Amp	10	10	10	10	10	10
Length of power lead	mm	1600	1600	1600	1600	1600	1600
Max. Power Consumption	W	2000	2000	2000	2000	2000	2000
Power for Flame Effect	W	28	40	50	52	62	72

Heat Output	kW
Nominal Heat Output	1.8
Minimum Heat Output	1
Maximum Continuous Heat Output	1.8

Auxiliary Electricity Consumption	W
At Nominal Heat Output	12.5
At Minimum Heat Output	12
In Standby Mode	1.1

Type of Heat Output / Room Temperature Control	Yes / No
With electronic room temperature control	Yes
Electronic room temperature control plus day timer	Yes
Electronic room temperature control plus week timer	Yes

Other Control Options	Yes / No
Room temperature control, with open window detection	Yes
With distance control option	Yes
With adaptive start control	Yes

Warranty

Product Group	Parts	Labour
Residential and Light Commercial	5 Years	5 Years

Rinnai Australia Pty Ltd

ABN 74 005 138 769

100 Atlantic Drive,
Keysborough, Victoria 3173

For further information
call 1300 555 545 or visit
rinnai.com.au

TOTAL HOME COMFORT



HOT WATER



HEATING



COOLING

Rinnai